

01010101001111010101101000110101010101001010000010101010001010100101

10100100000111010101010011110101011010001

Quick setup guide - Bluetooth EPA

Copyright © 2009 connectBlue AB

The contents of this document can be changed by connectBlue AB without prior notice and do not constitute any binding undertakings from connectBlue AB. connectBlue AB is not responsible under any circumstances for direct, indirect, unexpected damage or consequent damage that is caused by this document. All rights reserved.

Printed: Wed Jun 24 11:55:37 CEST 2009

Trademarks Registered trademarks from other companies are: Bluetooth is a trademark owned by the Bluetooth SIG, Inc., Microsoft, Windows, Windows NT, Windows 2000, Windows CE, Windows ME, are registered trademarks from Microsoft Corporation.

Quick setup guide - Bluetooth EPA

Document Revision

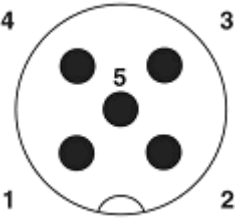
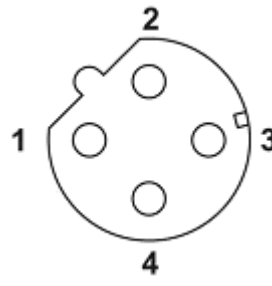
Release: 12 jun, 2009 10:17

Document version: [1](#)

General

See www.connectblue.com for latest updates of documents and firmware.

Installation

Power connector	Ethernet connector
<p>The power connector has both a supply power input and a digital input with separate ground. Both the power supply input and digital input support a voltage of 9-30V. The connector is an A-coded male M12.</p>	<p>The Ethernet interface supports 10/100 Mbps with both MDI/MDI-X auto crossover and polarity correction. The connector is a D-coded female M12.</p>
	
<ol style="list-style-type: none">1. Vin + (9-30V)2. Digital Input Ground3. Vin Ground4. Digital Input + (9-30V)5. N/C (May be used for shield ground)	<ol style="list-style-type: none">1. Transmit +2. Receive +3. Transmit -4. Receive -

Configuration

Interfaces

The EPA have several configuration interfaces, but this guide will only cover SMART and WEB configuration:

1. Smart configuration
2. WEB Configuration
3. AT configuration over TCP/IP
4. AT configuration over Layer2
5. SNMP configuration

By default the EPA has static IP settings which are; IP address: 192.168.0.99, subnet mask: 255.255.0.0 and default gateway: 192.168.0.99. To access the EPA by any IP based configuration interface the computer must be set up in the same network, e.g. IP address: 192.168.0.1 and subnet mask: 255.255.0.0.

Using the SMART configuration mode

If the mode button is pressed within the 5 seconds from power up, the EPA will enter the SMART configuration mode. The LEDs above the button (marked A, B, C and D) will show which mode is selected.

Quick setup guide - Bluetooth EPA

When the preferred mode is selected it must be confirmed by holding the SMART button for two seconds. This will cause the LEDs to start flashing during the operation of the selected mode. There are 7 different modes:

1. Exit, this will simply exit from the SMART configuration mode, no changes will be made (LED 'A')
2. Reset to factory defaults. This will reset the configuration to factory defaults (LED 'B')
3. Reset IP settings to factory defaults. This will only reset the IP settings to factory defaults (LED 'A' and 'B')
4. Wait for Automatic configuration (LED 'C')
5. Initiate Automatic configuration (LED 'A' and 'C')
6. Initiate Automatic configuration with Profinet optimizations (LED 'B' and 'C')
7. Initiate Automatic configuration to a WNP in #NAP# mode (LED 'A', 'B' and 'C')

Using the WEB configuration

Open a web browser and enter <http://192.168.0.99> in the address bar. Here you'll find the most common configuration parameters needed to setup a connection. If the device is in factory default, you will not need to login before configuring the unit.

Reset to factory defaults

It's possible to reset to factory settings in 3 different ways.

1. Enter and confirm SMART mode 2.
2. Issue AT&F
3. Holding the mode button while the EPA is starting

Setting up an Ethernet bridge

This is used to transfer data between two Ethernet segments.

1. Power on the first device and enter SMART configuration mode 4
2. Power on the second device and enter SMART configuration mode 5
3. Wait for the devices to connect and restart.
4. Now, the first device will have IP address 192.168.0.99 and the second 192.168.0.100.